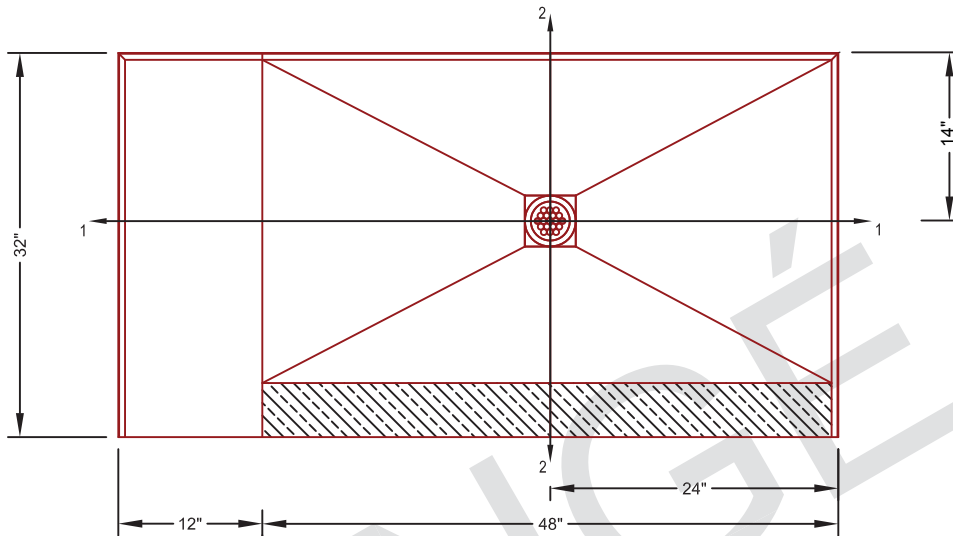


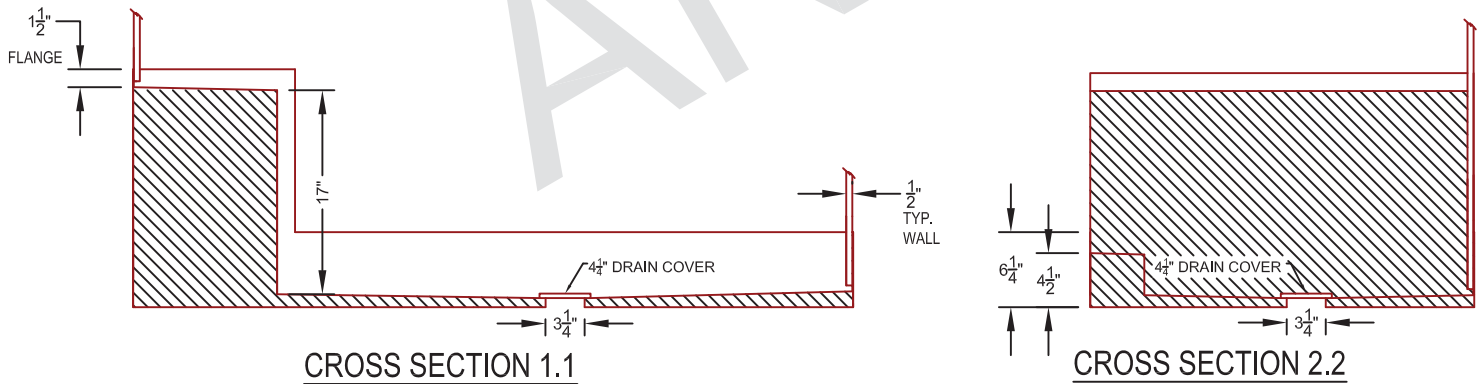
TILE-EZ

MODEL 3260-EURO Bench L

SCALE: 3/4



ANGÉ TILE-EZ SHOWER EURO BENCH DESIGN



CROSS SECTION 1.1

CROSS SECTION 2.2

Product Features:

- ❑ Tile-EZ Shower Receptor (ANSI Z-124.1/Z-124.2) with integrated curb, seat and flange system – Guaranteed not to Leak!
- ❑ Floor and seat surface pre-sloped 1/4" per foot to drain opening.
- ❑ Tile set directly on pan, seat and curb surfaces with water based thin-set (Tile-EZ Approved). No epoxies or time-sensitive tile setting materials are required.
- ❑ Opening for 2" drain provides easy connection with Tile-EZ PVC Glue-In Assembly. (Optional Tile-EZ Compression Assembly available for slab installations and where access to plumbing is limited).
- ❑ Round polished chrome strainer (optional round strainer finishes available). Optional square drain covers available with compression drain connection (PVC or brass).
- ❑ Tile-EZ Flange System permits use with typical 1/2" conventional wall cement board.
- ❑ No liner, special adhesives, or mud setting required for installation.



Technical Support / Questions
Tel: 856-673-8747
Fax: 856-235-5410
Email: ANGEPAN@Tile-EZ.COM

www.Tile-EZ.com

